

JENSEN®

Docking CD Music System for iPod and iPhone



USER MANUAL

JiSS-300i

(iPod/iPhone Not Included)

PLEASE READ THIS USER MANUAL COMPLETELY BEFORE OPERATING THIS UNIT
AND RETAIN THIS BOOKLET FOR FUTURE REFERENCE.

WARNING:

TO REDUCE THE RISK OF FIRE OR ELECTRIC SHOCK, DO NOT EXPOSE THIS APPLIANCE TO RAIN OR MOISTURE. DANGEROUS HIGH VOLTAGES ARE PRESENT INSIDE THE ENCLOSURE. DO NOT OPEN THE CABINET REFER SERVICING TO QUALIFIED PERSONNEL ONLY.



**The Caution marking is located at the bottom of the unit
The rating plate is located at the bottom of the unit**

CAUTION:

PLEASE READ AND OBSERVE ALL WARNINGS AND INSTRUCTIONS GIVEN IN THIS OWNER'S MANUAL AND THOSE MARKED ON THE UNIT, KEEP THESE INSTRUCTIONS. RETAIN THIS BOOKLET FOR FUTURE REFERENCE.

This set has been designed and manufactured to assure personal safety. Improper use can result in electric shock or fire hazard. The safeguards incorporated in this unit will protect you if you observe the following procedures for installation, use and servicing. This unit does not contain any parts that can be repaired by the user.



The symbol for class II (Double insulation)

DO NOT REMOVE THE CABINET COVER, OR YOU MAY BE EXPOSED TO DANGEROUS VOLTAGE. REFER SERVICING TO QUALIFIED SERVICE PERSONNEL ONLY.

IMPORTANT SAFETY INSTRUCTIONS

1. Read these Instructions.
2. Keep these Instructions.
3. Heed all Warnings.
4. Follow all instructions.
5. Do not use this apparatus near water.
6. Clean only with a dry cloth.
7. Do not block any of the ventilation openings. Install in accordance with the manufacturer's instructions.

IMPORTANT SAFETY INSTRUCTIONS (Continued)

8. Do not install near any heat sources such as radiators, heat registers, stoves, or other apparatus (including amplifiers) that produce heat.
9. Do not defeat the safety purpose of the polarized or grounding – type plug. A polarized plug has two blades with one wider than the other. A grounding type plug has two blades and a third grounding prong. The wide blade or the third prong is provided for your safety. If the provided plug does not fit into your outlet, consult an electrician for replacement of the obsolete outlet.
10. Protect the power cord from being walked on or pinched particularly at plugs, convenience receptacles and the point where they exit from the apparatus.
11. Only use attachments/accessories specified by the manufacturer.
12. Use only with a cart, stand, tripod, bracket, or table specified by the manufacturer, or sold with the apparatus. When a cart is used, use caution when moving the cart/apparatus combination to avoid injury from tip-over.
13. Unplug this apparatus during lightning storms or when unused for long periods of time.
14. Refer all servicing to qualified service personnel. Servicing is required when the apparatus has been damaged in anyway, such as power-supply cord or plug is damaged, liquid has been spilled or objects have fallen into the apparatus, the apparatus has been exposed to rain or moisture, does not operate normally, or has been dropped.
15. The apparatus shall not be exposed to dripping or splashing and that no objects filled with liquids, such as vases, shall be placed on apparatus.
16. Main plug is used as disconnect device and it should remain readily operable during intended use. In order to disconnect the apparatus from the mains completely, the mains plug should be disconnected form the mains socket outlet completely.
17. Battery shall not be exposed to excessive heat such as sunshine, fire or the like.
18. Danger of explosion if battery is incorrectly replaced. replace only with the same or equivalent type.

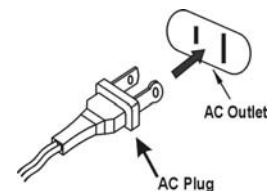


IMPORTANT NOTE

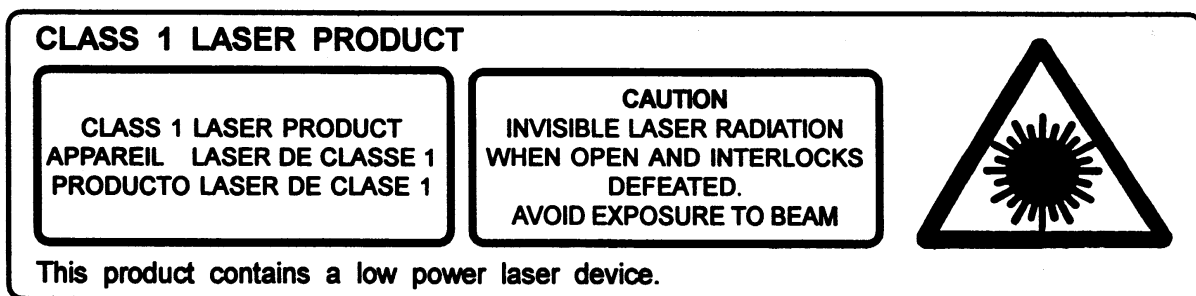
In case of malfunction due to electrostatic discharge, the apparatus has to be reset by disconnecting it from mains supply and removing all the batteries. Wait at least for 5 seconds before reconnect the AC power cord or reinstall the batteries.

CAUTION:

**TO PREVENT ELECTRIC SHOCK, MATCH WIDE BLADE OF
PLUG TO WIDE SLOT.
FULLY INSERT THE PLUG TO MAIN POWER SOCKET.**



CAUTION



Note: This product complies with DHHS Rule 21 Subchapter J at date of manufacture.

Follow the advice below for safe operations.

ON PROTECTION AGAINST LASER ENERGY EXPOSURE

- As the laser beam used in this compact disc player is harmful to the eyes, do not attempt to disassemble the casing.
- Stop operation immediately if any liquid or solid object should fall into the cabinet.
- Do not touch the lens or poke at it. If you do, you may damage the lens and the player may not operate properly.
- Do not put anything in the safety slot. If you do, the laser diode will be ON when the CD door is still open.
- This unit employs a laser. The use of controls or adjustment or performance of procedures other than those specified here may result in exposure to hazardous radiation.

ON PLACEMENT

- Do not use the unit in places which are extremely hot, cold, dusty, or humid.
- Place the unit on a flat and even surface.
- Do not restrict the air flow of the unit by placing it in a place with poor air flow, by covering it with a cloth, or by placing it on a carpet.

ON SAFETY

- When connecting and disconnecting the AC cord, grip the plug and not the cord itself. Pulling the cord may damage it and create hazard.
- When you are not going to use the unit for a long period of time, disconnect the AC power cord and remove all batteries.

ON AC VOLTAGE

- Before use, check that the rated voltage of your unit matches your local voltage.

ON CONDENSATION

- When left in a heated room where it is warm and damp, water droplets or condensation may form inside the CD player.
- When there is condensation inside the unit, the unit may not function normally.
- Let it stand for 1 to 2 hours before turning the power on, or gradually heat the room up and dry the unit before use.

Should any trouble occur, disconnect the AC power cord and refer servicing to qualified personnel.

COMPLIANCE WITH FCC REGULATIONS

This device complies with Part 15 of the FCC Rules. Operation is subject to the following two conditions:

- (1) this device may not cause harmful interference, and
- (2) this device must accept any interference received, including interference that may cause undesired operation.

NOTE : This equipment has been tested and found to comply with the limits for a Class B digital device, pursuant to Part 15 of the FCC Rules. These limits are designed to provide reasonable protection against harmful interference in a residential installation. This equipment generates, uses and can radiate radio frequency energy and, if not installed and used in accordance with the instructions, may cause harmful interference to radio communications. However, there is no guarantee that interference will not occur in a particular installation. If this equipment does cause harmful interference to radio or television reception, which can be determined by turning the equipment off and on, the user is encouraged to try to correct the interference by one or more of the following measures:

- Reorient or relocate the receiving antenna.
- Increase the separation between the equipment and receiver.
- Connect the equipment into an outlet on a circuit different from that to which the receiver is connected.
- Consult the dealer or an experienced radio/TV technician for help.

CAUTION: Changes or modifications not expressly approved by the party responsible for compliance could void the user's authority to operate the equipment.

PROTECT YOUR FURNITURE!!

This system is equipped with non-skid rubber 'feet' to prevent the product from moving when you operate the controls. These 'feet' are made from non-migrating rubber material specially formulated to avoid leaving any marks or stains on your furniture. However certain types of oil based furniture polishes, wood preservatives, or cleaning sprays may cause the rubber 'feet' to soften, and leave marks or a rubber residue on the furniture.

To prevent any damage to your furniture we strongly recommend that you purchase small self-adhesive felt pads, available at hardware stores and home improvement centers everywhere, and apply these pads to the bottom of the rubber 'feet' before you place the product on fine wooden furniture.

WELCOME

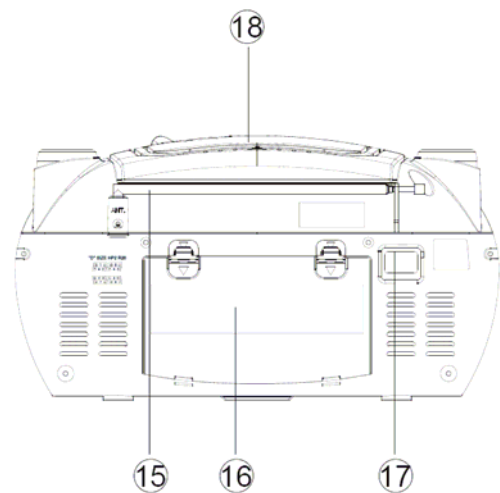
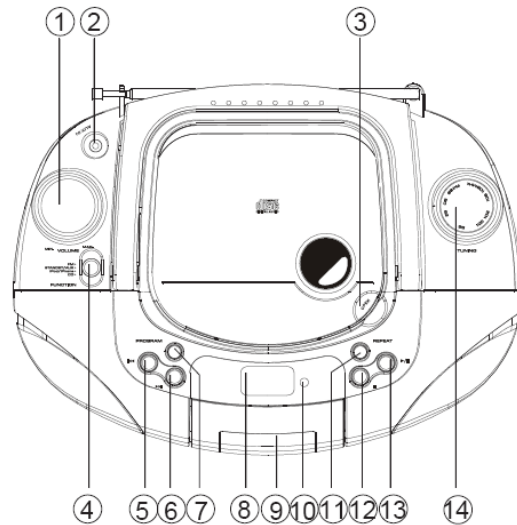
Thank you for purchasing JENSEN JiSS-300i Docking Music System.

Before operating the unit, please read this manual thoroughly and retain it for future reference.

LOCATION OF CONTROLS

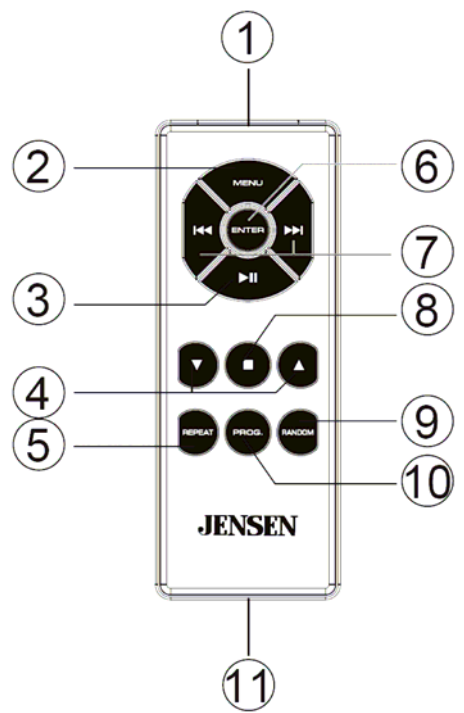
Main Unit

1. VOLUME CONTROL KNOB
2. AUX IN JACK
3. CD DOOR LIFT UP CAVITY
4. FUNCTION SELECTOR
5. B-SKIP ◀◀ BUTTON
6. F-SKIP ▶▶ BUTTON
7. CD PROGRAM BUTTON
8. LCD DISPLAY
9. iPod/iPhone COMPARTMENT DOOR
10. REMOTE CONTROL SENSOR
11. REPEAT BUTTON
12. CD STOP ■ BUTTON
13. PLAY / PAUSE ▶|| BUTTON
14. FM TUNING CONTROL KNOB
15. TELESCOPIC ANTENNA
16. BATTERY COMPARTMENT DOOR
17. AC POWER CORD SOCKET
18. CARRYING HANDLE



Remote Control

1. INFRA-RED TRANSMITTER
2. iPod/iPhone MENU BUTTON
3. PLAY / PAUSE ►|| BUTTON
4. iPod/iPhone MENU UP ▲ / DOWN ▼ BUTTON
5. REPEAT BUTTON
6. iPod/iPhone MENU ENTER BUTTON
7. B-SKIP ◀◀ BUTTON & F-SKIP ▶▶ BUTTON
8. CD STOP ■ BUTTON
9. RANDOM PLAY BUTTON
10. CD PROGRAM BUTTON
11. BATTERY COMPARTMENT



GETTING STARTED

Unpacking the Docking System

Please save all the original packaging. It provides the safest way to transport your unit.

POWER SOURCE

This Portable Docking System is designed to operate on 120V~ 60Hz AC power or with 8 'D' size (UM-1) batteries (Not included).

The remote control unit operates on one "CR2025" lithium battery (Included).

CAUTION:

Mains plug should be regularly checked for damage. If it is damaged do not operate the unit, seek advice from a qualified service technician or contact the distributor of the product via the telephone number at the back of the instruction manual.

Do not attempt to operate the unit on any other power source as this could cause damage to the unit and void your warranty.

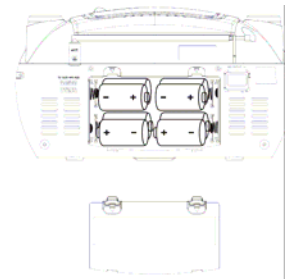
A. BATTERY OPERATION

Note: For best performance and longer operating time, we recommend the use of alkaline-type batteries.

1. Remove the Battery Door on the back of the unit.
2. Follow the marked polarities and install 8 "D" size (UM-1) batteries.
3. Replace the Battery Door.

IMPORTANT: Be sure that the batteries are installed correctly.

Wrong polarity may damage the unit.

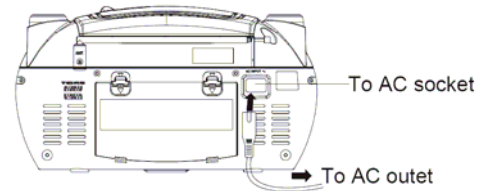


BATTERY CARE

- (a) Do not mix old and new batteries.
- (b) Do not mix alkaline, standard (carbon-zinc) or rechargeable (nickel-cadmium) batteries.
- (c) If the unit is not to be used for an extended period of time, remove all batteries. Old or leaking battery can cause damage to the unit and may void the warranty.
- (d) Do not dispose batteries in fire. Batteries may leak or explode.

B. AC POWER CONNECTION

1. Insert one end of the power cord to the AC Socket on the back of the Docking System. The internal battery source will automatically be disconnected.
2. Connect the power cord to an AC 120V~ 60Hz power outlet.

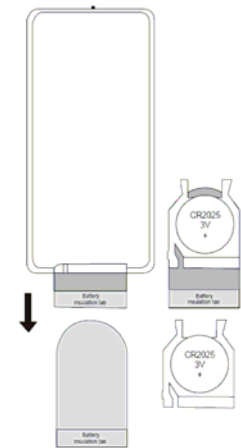


C. REMOTE CONTROL

The remote control operates on one CR2025 battery (included). To activate the remote control, remove the insulation tab inserted in the battery compartment.

When the operation of the remote control becomes intermittent or unsatisfactory, replace the original battery with a new 3-volt lithium battery.

- 1.) Slide out the battery holder from the remote control case.
- 2.) Replace the 3V CR2025 battery. Be sure the battery is installed correctly. The remote will not work if the battery is installed with the wrong polarity.



CAUTION: Danger of explosion if the battery is replaced incorrectly.

Replace only with the same type battery.

- 3.) Insert the battery holder back into the battery slot.

NOTE: Only use a well-known brand of cell battery to ensure the longest life and best performance.

TURNING POWER ON/STANDBY AND SELECTING FUNCTION

1. Turn the System ON from Standby by sliding the FUNCTION selector from STANDBY/AUX to your desired operating mode – FM, iPod/iPhone or CD mode.
2. To select AUX mode, slide the FUNCTION selector to STANDBY/AUX position and then plug in an audio cable into AUX IN jack. The system will automatically enter AUX mode.
3. The system is in Standby mode if FUNCTION selector is set to STANDBY/AUX position without an AUX IN jack plugged in.

LISTENING TO THE RADIO

1. Set the FUNCTION selector to the FM position to select FM TUNER mode.
2. Tune to your desired station by adjusting the TUNING control knob.
3. Adjust the Volume Control to obtain the desired sound level from the Built-in Speakers.
4. To turn the radio off, set the FUNCTION selector to STANDBY/AUX position.

TIPS FOR BEST RADIO RECEPTION

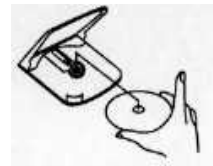
1. To insure maximum FM tuner reception, the Telescopic Antenna should be fully extended and rotated to obtain the best possible station reception.

CD PLAYER OPERATION

Note: This CD player not only plays commercial CDs, but also self-compiled CD-R/RW discs. Do not attempt to play CD-ROM, CDI, VCD, DVD or computer CDs.

Notes on CD-R/RW Discs

- Because of non-standardized format definition/production of CD-R/RW, playback quality & performance are not guaranteed.
 - Manufacturer is not responsible for the playability of CD-R/RW due to recording conditions such as PC performance, writing software, media ability, etc.
 - Do not attach a label or seal to either side of the CD-R/RW disc. It may cause a malfunction.
1. Set the FUNCTION selector to the CD position, the LCD backlight will light and display “cd” message briefly.
 2. Open the CD DOOR by lifting the CD DOOR up.
 3. Carefully place an audio CD with its label side facing upward in the CD compartment and close the CD Door gently.
 4. The LCD Display will briefly display flashing “- -” and then the total number of tracks on the CD will appear in the LCD Display after a few seconds. If no disc is inserted or if the inserted disc cannot be recognized, it will display the message “No”.
 5. Press the PLAY/PAUSE ►|| Button to start playback. The Play Indicator “►” will light and the CD will start playing from the first track.
 6. Adjust the VOLUME control to obtain the desired sound level from the Built-in Speakers.



TO INTERRUPT PLAYBACK

7. To suspend playback, press the PLAY/PAUSE ►|| Button once. The Play Indicator “►” will flash.
8. To resume playing, press the PLAY/PAUSE ►|| Button again. The Play Indicator “►” will light steadily in the LCD Display.

SKIPPING AND SEARCHING TRACKS

9. You can choose to play your favorite track directly by pressing either the Back B-SKIP ◀◀ or the Forward F-SKIP ▶▶ Buttons. The LCD Display will indicate the track number of the selected tracks.

- To locate a particular passage within a track, press and hold either the B-SKIP ◀◀ or F-SKIP ▶▶ until the section you want is found.

REPEATING PLAYBACK

- To repeat a particular track, press the PLAY MODE Button once. The REPEAT 1 Indicator appears in the LCD Display.
- To repeat the entire CD, press the PLAY MODE Button twice. The REPEAT ALL Indicator lights in the LCD Display.
- To cancel the REPEAT function, press the REPEAT Button repeatedly until the REPEAT 1 / REPEAT ALL Indicator disappears from the LCD Display.

RANDOM PLAYBACK(Remote Control Only)

- To play the tracks in random order, press the RANDOM Button on the remote control. The RANDOM Indicator will appear in the Display.
- Press the PLAY/PAUSE ▶|| Button once. A track is picked at random and playback starts.
- To cancel the random function, press the RANDOM Button again.
- To stop playback, press the STOP ■ Button once.
- When you wish to turn the CD player off, set the FUNCTION selector to the STANDBY/AUX position. The LCD backlight goes off.

CD PROGRAMMED PLAY

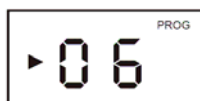
This function allows the tracks to be played in a programmed sequence.

NOTE: Program can only be set in STOP mode. Up to 20 tracks can be programmed.

- In CD stop mode, press the PROGRAM Button once. “**PROG**” indicator will appear and Program No. “**01**” will appear briefly and then change to Track Number “**01**” and blink together with “**PROG**” in the LCD Display to prompt for input.



- Press the B-SKIP ◀◀ or F-SKIP ▶▶ Buttons to select the song to be programmed. For example track 5 is selected.
- Press the PROGRAM Button again to store the selection. The Program Number will advance to “**02**” and then change to the track you just programmed “**05**” and blink to prompt for another input.
- Press the B-SKIP ◀◀ or F-SKIP ▶▶ Buttons to select the next song to be programmed.
- Press the PROGRAM Button to store the second selection. You may repeat steps #2 - #4 to program as many as 20 tracks.
- Press the CD PLAY/PAUSE ▶|| Button to start playback in the programmed sequence.



- After all the programmed tracks have been played, the player stops but the programmed tracks remain in the memory.
 - Press the PROGRAM Button followed by the PLAY/PAUSE ►|| Button to begin programmed playback again.
7. To cancel programmed play, in Stop mode press the STOP ■ Button once or open the CD DOOR.
 8. To turn the CD player off, set the FUNCTION selector to STANDBY/AUX position. The LCD backlight will go off.

LISTENING TO YOUR iPod/iPhone

1. Gently push the iPod/iPhone compartment door to open it. The door will automatically open.
2. Place your iPod/iPhone into the docking port by placing the connector on the bottom of the iPod/iPhone onto the connector in the docking bay. When the system is powered by AC, iPod/iPhone battery charging will start automatically even if the Dock is in standby mode.

Note: (1). Please be careful when seating the iPod/iPhone into the docking to avoid damaging the 30-pin connector on the iPod/iPhone or in the Docking System. Dock your iPod/iPhone carefully into the 30-pin connector and then close the door.

(2). The iPod/iPhone will only be charged when the System is powered by AC.
3. Close the iPod/iPhone compartment door, set the FUNCTION selector to the iPod/iPhone position, the LCD backlight will light and display the message “iP”.
4. Press the PLAY/PAUSE ►|| button to start play back.
5. Select the previous or next music tracks by pressing the B-SKIP ◀◀ or F-SKIP ▶▶ Buttons repeatedly, and press the PLAY/PAUSE ►|| Button to play or pause.

Note: The System’s LCD will not show any music information (e.g. song name) for your iPod/iPhone. Please view the music information through your iPod/iPhone display.
6. Adjust the sound level using the VOLUME control.

Note: The volume level cannot be adjusted using the volume control on your iPod after docking.
7. To remove the iPod/iPhone from the unit, press and hold the PLAY/PAUSE ►|| Button on the System for a few seconds to switch off the device, open the iPod/iPhone compartment door and then gently remove it from the dock connector.
8. To turn the iPod/iPhone mode off, set the FUNCTION selector to STANDBY/AUX position. The LCD backlight will go off.

iPod/iPhone playback control:

- Press the iPod/iPhone PLAY/PAUSE ►|| button to pause or resume the iPod/iPhone playback;
- Press the SKIP ◀◀ or ▶▶ buttons to skip to the next or previous song;
- Press and hold the SKIP ◀◀ or ▶▶ buttons for fast-forwarding or fast-rewinding during playback.
- From the remote, press the **MENU** button, **ENTER** button and ▲/▼ buttons on the remote

control to control the iPod/iPhone menu, scroll menu up/down and enter selection.

- Press the REPEAT button on the remote to repeat one or repeat all song / file playback.
- Press the RANDOM button on the remote to shuffle playback.

Note: 1. The iPod/iPhone Menu Control function will work with most iPod touch/iPhone models in iPod mode. Please make sure your iPod/iPhone is in **iPod mode** before dock. The function will NOT work if the iPod/iPhone is in **MAIN** or **LOCKED** screen.

2. The iPod menu navigating function of remote control will work on most iPhone or iPod models except for the iPod nano 6th gen.

AUXILIARY INPUT OPERATION

This unit provides an auxiliary audio signal input jack for connecting external audio devices like MP3 players, CD players and older, non-dockable iPods (except iPod shuffle 3rd gen) and listen to your external source through the speakers of this system.

1. Use an audio cable (not included) with one 3.5 mm stereo plug on each end of the cable.
2. Plug one end into the AUX-IN jack located on the left side of this Docking System and the other end of the cable into the Line-out Jack or Headphone Jack of your external audio device.
3. Turn on the external audio device.
4. To enter the AUX function mode, set the FUNCTION selector to STANDBY/AUX position.
5. The volume level can now be controlled through the main unit. Operate all other functions on the auxiliary device as usual.

Note:

- (1) If you connected the Line Out Jack of your external device then you only need to adjust the volume control of this system. If you connected the Headphone Jack of your external device then you may need to adjust both the volume control of your external device and the volume control of this system to find the most desirable volume setting.
- (2) Remove the audio cable from AUX IN jack when you finish listening. Don't forget to switch off the power on your external device as well.

CARE AND MAINTENANCE

1. Avoid operating your unit under direct sunlight or in hot, humid or dusty places.
2. Keep your unit away from heating appliances and sources of electrical noise such as fluorescent lamps or motors.
3. If drop-outs or interruptions occur in the music during CD play, or if the CD fails to play at all, its bottom surface may require cleaning. Before playing, wipe the disc from the center outwards with a good soft cleaning cloth.
4. Unplug the unit from the electrical power outlet immediately in case of malfunction.



Cleaning the Unit

- To prevent fire or shock hazard, disconnect your unit from the AC power source when cleaning.
- The finish on the unit may be cleaned with a dust cloth and cared for as other furniture. Use caution when cleaning and wiping the plastic parts.
- If the cabinet becomes dusty wipe it with a soft dry dust cloth. Do not use any wax or polish sprays on the cabinet.
- If the front panel becomes dirty or smudged with fingerprints it may be cleaned with a soft cloth slightly dampened with a mild soap and water solution. Never use abrasive cloths or polishes as these will damage the finish of your unit.

CAUTION: Never allow any water or other liquids to get inside the unit while cleaning.

TROUBLESHOOTING GUIDE

If you experience difficulties in the use of this Docking System, please check the following or call 1-800-777-5331 for Customer Service.

Symptom	Possible Problem	Solution
Unit does not respond (no power)	AC Cord is not plugged properly into a wall outlet or the connector is not plugged into the AC Socket on the back of the System.	Re-plug the AC Cord into the wall outlet and the connector into AC Socket on the System.
	Wall outlet is not functioning.	Plug another device into the same outlet to confirm the outlet is working.
Noise or sound distorted on FM broadcast	Station not tuned properly for FM. Telescopic antenna is not fully extended.	Retune the FM broadcast station. Fully extend the FM telescopic antenna.
FM no sound	Unit not in TUNER function mode. Volume set at minimum	Press Function Button to select TUNER Increase Volume
iPod/iPhone does not respond to the unit.	iPod/iPhone is not installed properly.	Remove your iPod/iPhone from the dock and check for any obstruction on the connectors in the dock and on your iPod/iPhone, then reseat it in the dock.
	Your iPod/iPhone is locked up.	Please make sure that your iPod/iPhone is working properly before docking into the unit. Please refer to your iPod/iPhone manual for info on resetting the Pod/iPhone.
	Unit not in iPod/iPhone mode	Make sure the FUNCTION selector is set to iPod/iPhone mode.
iPod/iPhone does not charge.	iPod/iPhone is not installed properly.	Remove your iPod/iPhone from the dock and check for obstruction on the connectors in the dock and on your iPod/iPhone. Then reseat it in the dock.
	The unit is powered by batteries	Change to use AC power.
	iPod/iPhone is locked up/ frozen. iPod/iPhone battery has problem.	Please make sure your iPod/iPhone is working properly before docking into the unit. Please refer to your iPod/iPhone manual for details on resetting.
CD player will not play	Unit not in CD function mode. CD is installed incorrectly. If the CD is self-compiled, the media used may not be compatible with the player.	Select CD function mode. Insert CD with label side up. Use better quality blank media and retest.
CD skips while playing	Disc is dirty or scratched.	Wipe CD with clean cloth or use another disc.
Intermittent sound from CD Player	Dirty or defective disc Dirty pick up lens	Clean or replace the defective disc Use a CD-lens cleaning disc to clean the lens Relocate the player away from shock or vibration
	Player is subject to excessive shock or vibration	
Remote control No functions or short range.	Battery exhausted	- Insert new batteries. - Aim remote directly towards the remote sensor.
Unit gets warm after extended play at high volume.	This is normal.	Turn the unit off a period of time or lower volume.

SPECIFICATIONS

Power Requirement

Main Unit

AC Power 120V~, 60Hz 18W or

Batteries 8 x "D" (UM-1)

Remote Control 1 x 3V CR2025 Lithium Battery

Frequency Range FM 88 - 108 MHz

"Made for iPod" and "Made for iPhone" mean that an electronic accessory has been designed to connect specifically to iPod and iPhone, respectively, and has been certified by the developer to meet Apple performance standards. Apple is not responsible for the operation of this device or its compliance with safety and regulatory standards. Please note that the use of this accessory with iPhone or iPod may affect wireless performance.

iPhone, iPod, iPod classic, iPod nano, iPod shuffle, and iPod touch are trademarks of Apple Inc., registered in the U.S. and other countries.



At Spectra, environmental and social responsibility is a core value of our business. We are dedicated to continuous implementation of responsible initiatives with an aim to conserve and maintain the environment through responsible recycling.

Please visit us at <http://www.spectraintl.com/green.htm> for more information on Spectra's green initiatives or to find a recycler in your area.

**90 DAY LIMITED WARRANTY AND SERVICE
VALID IN THE U.S.A ONLY**

SPECTRA MERCHANDISING INTERNATIONAL, INC. warrants this unit to be free from defective materials or factory workmanship for a period of 90 days from the date of original customer purchase and provided the product is utilized within the U.S.A. This warranty is not assignable or transferable. Our obligation under this warranty is the repair or replacement of the defective unit or any part thereof, except batteries, when it is returned to the SPECTRA Service Department, accompanied by proof of the date of original consumer purchase, such as a duplicate copy of a sales receipt.

You must pay all shipping charges required to ship the product to SPECTRA for warranty service. If the product is repaired or replaced under warranty, the return charges will be at SPECTRA's expense. There are no other express warranties other than those stated herein.

This warranty is valid only in accordance with the conditions set forth below:

1. The warranty applies to the SPECTRA product only while:
 - a. It remains in the possession of the original purchaser and proof of purchase is demonstrated.
 - b. It has not been subjected to accident, misuse, abuse, improper service, usage outside the descriptions and warnings covered within the user manual or non-SPECTRA approved modifications.
 - c. Claims are made within the warranty period.
2. This warranty does not cover damage or equipment failure caused by electrical wiring not in compliance with electrical codes or SPECTRA user manual specifications, or failure to provide reasonable care and necessary maintenance as outlined in the user manual.
3. Warranty of all SPECTRA products applies to residential use only and is void when products are used in a nonresidential environment or installed outside the United States.

This warranty gives you specific legal rights, and you may also have other rights which vary from state to state. TO OBTAIN SERVICE please remove all batteries (if any) and pack the unit carefully and send it freight prepaid to SPECTRA at the address shown below. IF THE UNIT IS RETURNED WITHIN THE WARRANTY PERIOD shown above, please include a proof of purchase (dated cash register receipt) so that we may establish your eligibility for warranty service and repair of the unit without cost. Also include a note with a description explaining how the unit is defective. A customer service representative may need to contact you regarding the status of your repair, so please include your name, address, phone number and email address to expedite the process.

IF THE UNIT IS OUTSIDE THE WARRANTY PERIOD, please include a check for **\$35.00** to cover the cost of repair, handling and return postage. All out of warranty returns must be sent prepaid.

It is recommended that you contact SPECTRA first at 1-800-777-5331 or by email at custserv@spectraintl.com for updated information on the unit requiring service. In some cases the model you have may be discontinued, and SPECTRA reserves the right to offer alternative options for repair or replacement.

SPECTRA MERCHANDISING INTERNATIONAL, INC.
4230 North Normandy Avenue,
Chicago, IL 60634, USA.
1-800-777-5331

To register your product, visit the link on the website below to enter your information.
<http://www.spectraintl.com/wform.htm>

Printed in China